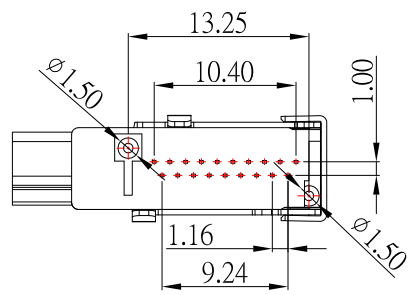
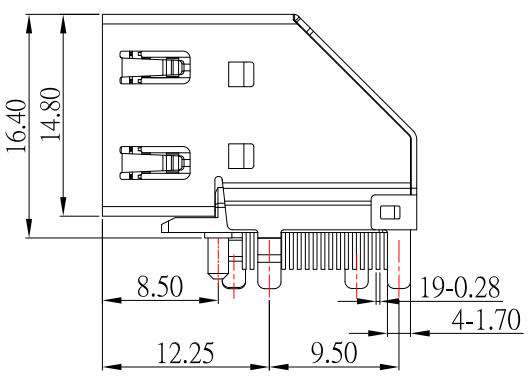
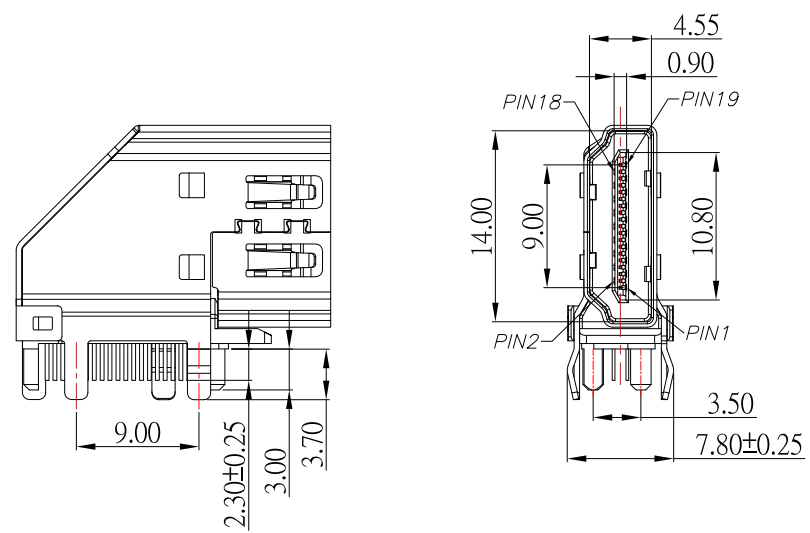
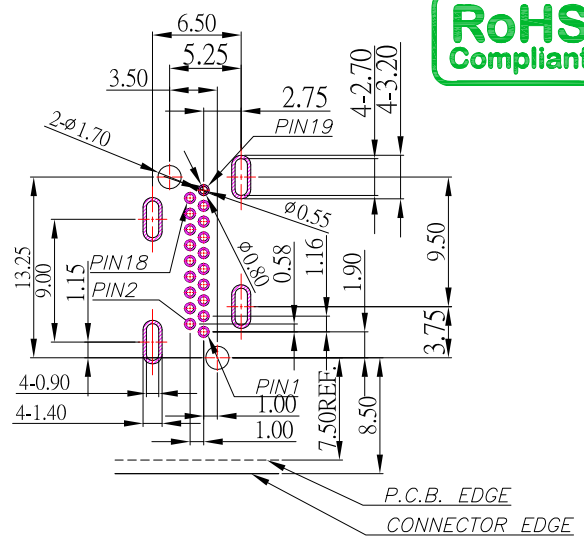


HDMI PIN ASSIGNMENT			
PIN	SIGNAL TYPE		
		11	TMDS Clock Shield
1	TMDS Data2+	12	TMDS Clock-
2	TMDS Data2 Shield	13	CEC
3	TMDS Data2-	14	Utility
4	TMDS Data1+	15	SCL
5	TMDS Data1 Shield	16	SDA
6	TMDS Data1-	17	DDC/CEC Ground
7	TMDS Data0+	18	+5V Power
8	TMDS Data0 Shield	19	Hot Plug Detect
9	TMDS Data0-		
10	TMDS Clock+		



**RECOMMENDED P.C.B. LAYOUT
TOP VIEW**

- NOTE:
- MATERIAL:
 - HOUSING: LCP, BLACK
 - CONTACT: BRASS
 - SHELL: BRASS
 - PLATING:
 - CONTACT: PLATED GOLD IN MATING AREA ;
TIN PLATED ON SOLDER BALLS ;
NICKEL UNDER PLATED OVERALL
 - SHELL: NICKEL UNDER PLATED SURFACE LAYER
 - MECHANICAL:
 - INSERTION FORCE: 4.5 KgF MAX
 - WITHDRAWAL FORCE: 1.0 ~ 4.0 KgF
 - ELECTRICAL:
 - RATING: 40V, 0.5A
 - CONTACT RESISTANCE: 30 mΩ Max
 - INSULATION RESISTANCE: 100MΩ Min
 - DIELECTRIC WITHSTANDING VOLTAGE: 500V AC / minute
 - OPERATING TEMPERATURE: -25°C ~ 85°C
 - LIFE: 10,000 CYCLES

ITEM NO.	DESCRIPTION	DRAWN	DATE
3	新增LIFE	Jack	051123
2	新增PIN定義	Jack	092922
1	更新PCB LAYOUT尺寸	Jack	092222

CONTACT 建倚科技股份有限公司
CONTACT TECHNOLOGY CORP.

TOLERANCE UNLESS OTHERWISE STATED:

Up to 5	±0.2
Above 5 ~ 15	±0.3
Above 15 ~ 30	±0.4
Above 30 ~ 50	±0.5
Angle	±0.3°

3RD. ANGEL'S

UNITS: MM

DRAWN BY:	DATE	MAT'L	TITLE	CONNECTOR
Jack Lu	05/11/23			
CHECKED BY:	DATE	FINISH	MODLE	HDMI2.1 側插殼銅殼2 K腳 2直腳 腳長 2.3
Jacky Chen	05/11/23			
APPROVED BY:	DATE	SCALE	DWG NO.	HD2-19PF-P1-S297
Tony Kao	05/11/23	1 : 1	PART NO.	HD2-19PF-P1-S297
		SHEET NO.	1 of 1	
			SIZE	A4
			VER	R3